

Product datasheet

Load house

PLSU / PLMU (non-insulated)
PLSI / PLMI (insulated)
PLSX / PLMX (without cladding)

Contact:

 **PROM STAHL** GmbH
Ronnenberger Straße 20
D-30989 Gehrden

phone +49 (0) 5108 879 270
fax +49 (0) 5108 879 2710

info@promstahl.de
www.promstahl.de

Loading house

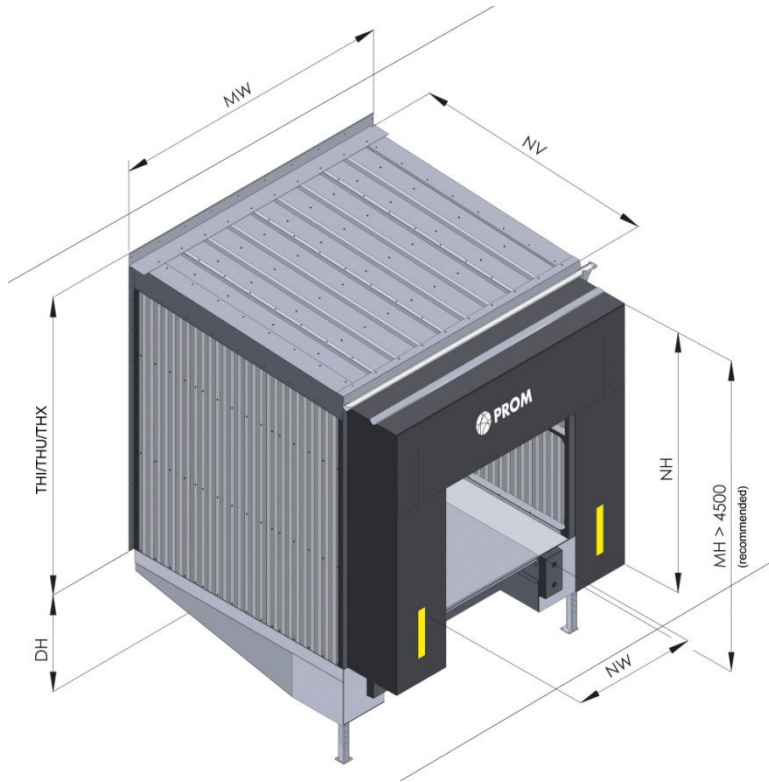
The loading house is a housing system that combined with the loading ramp forms a stand-alone docking system that can be attached to the building. It comprises all the components of a complete docking system: dock leveller, dock shelter and sectional door:

These elements represent a complete and sophisticated docking system that depending on the individual loading situation offers decisive advantages over conventional internal ramps. They extend the available storage space and at the same time provide the building with thermal insulation.

Hot-dip galvanization of the whole steel frame system is standard. Water drainage systems and façade elements matched to your building are also available as optional equipment.

Advantages of the loading house:

- Thermal separation of the warehouse and the docking system guarantees a decisive reduction in energy costs – a very important factor for temperature-controlled warehouses and cold stores.
- Easy and fast assembly thanks to pre-mounted building elements that are put on existing foundations and fastened to the external wall of the building. If an already existing building is extended installation with the loading and unloading operations going on in parallel is possible.
- The cladding consists either of non-insulated trapezoidal sheet or of 40 mm insulated panel; it is also possible to use the same material as used for the façade of the warehouse.
- The system can be equipped with either a swing lip leveller or with a telescopic lip leveller as well as with various types of dock shelters optimally matched to the individual loading and unloading frequency.
- Thanks to its flexible modular design the PROMStahl loading house can be supplied either as a cost-effective multiple system or in the case of limited space available in front of the loading station as an angular arrangement or as a multiple serial system.
- Additional storage room is available in the warehouse since the whole docking system is placed outside the building.
- It is even possible to benefit from shorter tax depreciation regulations. Please contact your tax consultant regarding this topic.
- Load assumptions according to DIN 1055 parts 4+5
 - Basic snow load: 0.89 kN/m for a maximum snow load of 2.5 kN/m²
 - Max. wind load 0.65 kN/m²
 - Design of the steelworks in accordance with DIN 18800 (Eurocode 3 in preparation)
 - Respect the local building regulations!



- NV Loading house nominal length (NL+20)
- MW Loading house module width
- NW Dock leveller nominal width
- THI Wall connection height, insulated (panels)
- THU Wall connection height, without insulation (trapezoidal sheet)
- THX THX Wall connection height (without cladding)
- DH Dock height
- NH Nominal height of the dock shelter
- MH Dock shelter installation height, Recommendation: MH= 4500 for truck heights up to 4000 mm

NV	2020			2470		
DH	950 - 1050	1100 - 1250	1300 - 1500	950 - 1050	1100 - 1250	1300 - 1500
THI	4040	3840	3640	4065	3865	3665
THU	3995	3795	3595	4020	3820	3620
THX	3800	3600	3400	3825	3625	3425
MW	All dimensions 3300, 3500, 3600					

All dimensions in mm.

NV	3020			3520		
DH	950 - 1050	1100 - 1250	1300 - 1500	950 - 1050	1100 - 1250	1300 - 1500
THI	4090	3890	3690	4115	3915	3715
THU	4045	3845	3645	4070	3870	3670
THX	3850	3650	3450	3875	3675	3475
MW	All dimensions 3300, 3500, 3600					

All dimensions in mm.

All loading houses are available with standard installation angles of 90°, 45°/135°, 75°/105° and 60°/120°. Further angles are available on request.

Standard colours

The following colours are available as standard colours for the insulation panel and the non-insulated trapezoidal sheet:

Inside
RAL 9002

Grey white

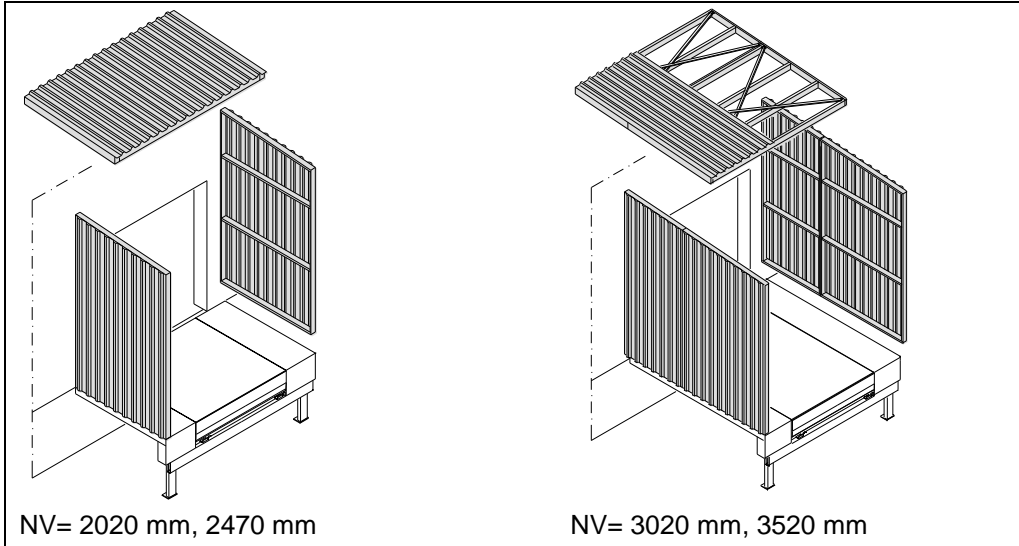
Outside:
RAL 9002
RAL 9006

Grey white
White aluminum

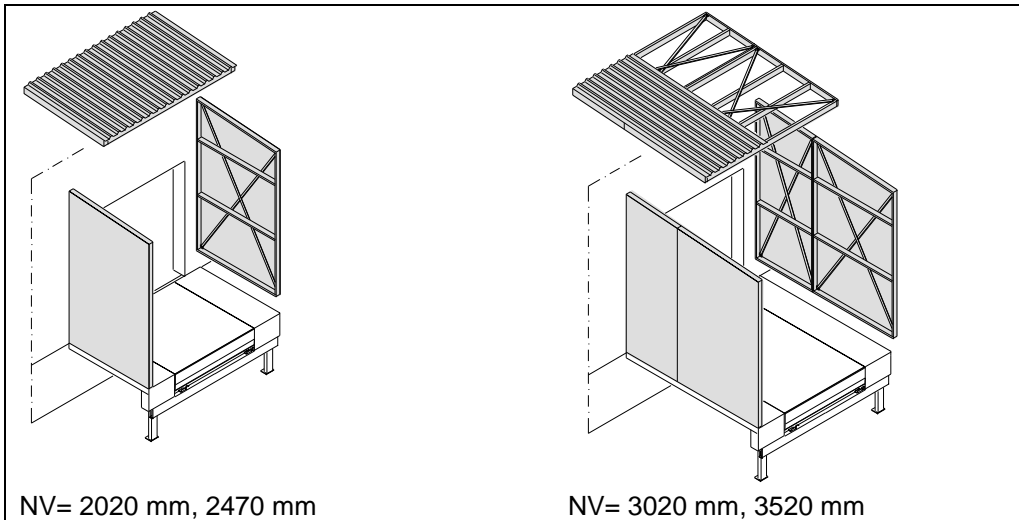
Further RAL colours are optionally available.

Options – PL claddings

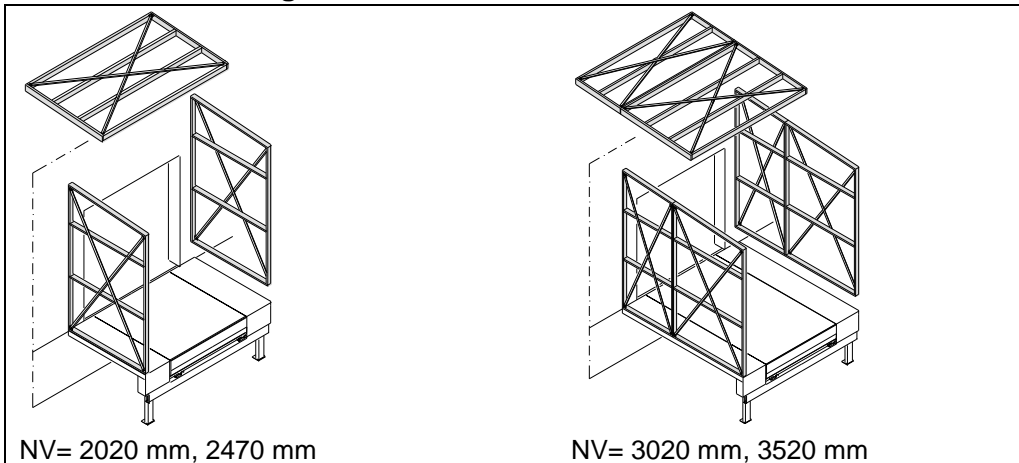
U = non-insulated



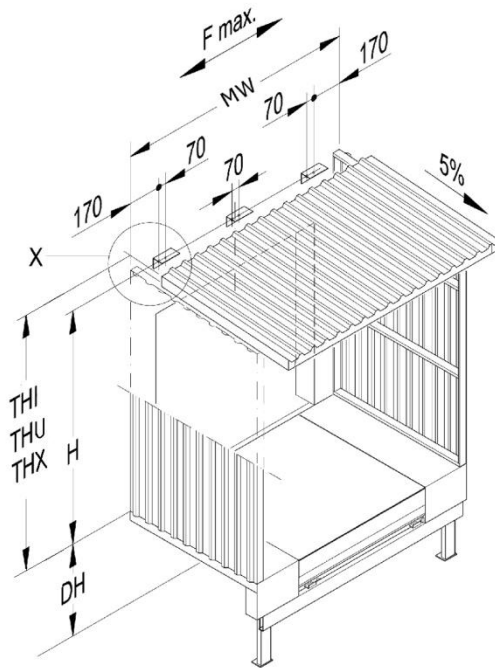
I = insulated



X= without cladding



Wall installation



- MW Loading house module width
- NV Loading house nominal length
- H Installation height
- THI Wall connection height, insulated (panels)
- THU Wall connection height, without insulation (trapezoidal sheet)
- THX Wall connection height (without cladding)
- DH Dock height

Wall installation force
 F max. 4,5 kN (NV 2020, 2470)
 F max. 6,4 kN (NV 3020, 3520)

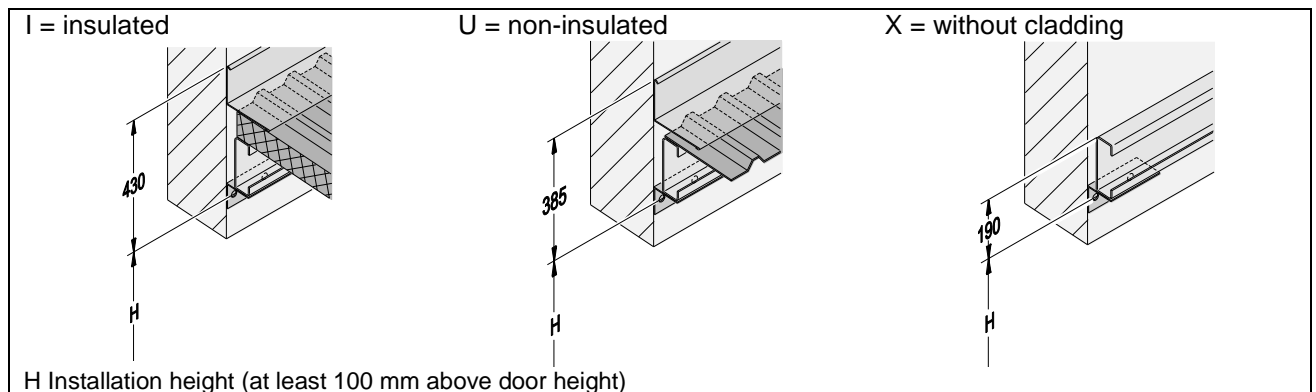
NV	2020			2470		
	DH	H	THI	DH	H	THI
	950 - 1050	3610	4040	950 - 1050	3635	4065
	1100 - 1250	3410	3840	1100 - 1250	3435	3865
	1300 - 1500	3210	3640	1300 - 1500	3235	3665
		3995	3995		4020	4020
		3800	3800		3825	3825

All dimensions in mm.

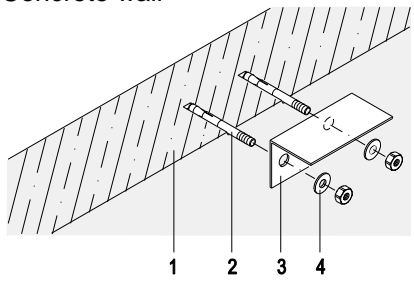
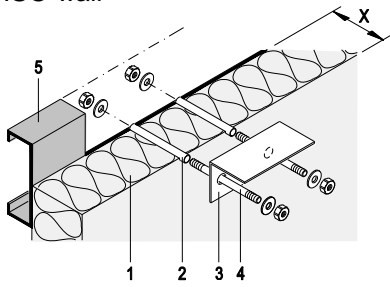
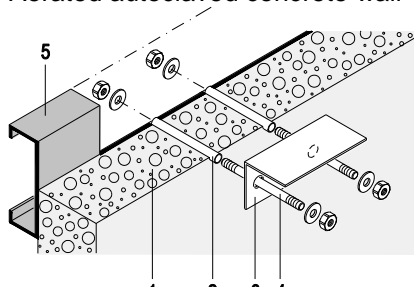
NV	3020			3520		
	DH	H	THI	DH	H	THI
	950 - 1050	3660	4090	950 - 1050	3685	4115
	1100 - 1250	3460	3890	1100 - 1250	3485	3915
	1300 - 1500	3260	3690	1300 - 1500	3285	3715
		4045	4045		4070	4070
		3850	3850		3875	3875

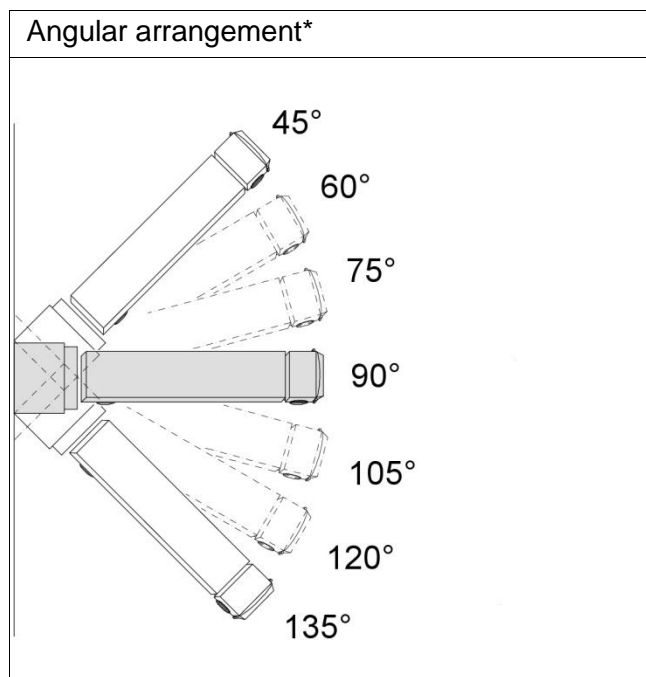
All dimensions in mm.

Installation detail „X“



Wall fixings

Concrete wall	ISO wall	Aerated autoclaved concrete wall
		
<ul style="list-style-type: none"> 1 Concrete wall 2 Heavy-duty bolt 3 Fixing angle 4 Washer 	<ul style="list-style-type: none"> 1 ISO wall 2 Spacer 3 Fixing angle 4 Threaded bolt with nut and washer 5 Installation profile * X Wall thickness (100 or 200 mm) 	<ul style="list-style-type: none"> 1 Aerated autoclaved concrete wall 2 Spacer 3 Fixing angle 4 Threaded bold with nut and washer 5 Installation profile* e.g: C-profile 120x40x15x3 mm
<p>*) by others, not included in the delivery by PROMStahl</p>		



* Further angles are available on request.